

6.0mm Square Tact Switch (Vertical/RA, TH/SMT Type)



TSG-44/47/48/49/4A/4B/4CS/T-XXX

TS - Tact Switch
G - G Serious
04 / 47 / 48 / 49 / 4A / 4B / 4C – Type
S / T - SMT Type, TH Type
XXX - Action Force (gram)
H - With Post (Optional)

SPECIFICATIONS

Mechanical Life: 300,000 cycles for 90g±50g
200,000 cycles for 180g±50g
100,000 cycles for 250g±50g

Operating Force: 90g±50g, 180g±50g, 250g±50g

Travel: 0.25±0.1mm

Rating: 50mA 12V DC

Dielectric withstanding: 250V AC/minute

Insulator resistance: ≥ 100 MΩ at 100V

Contact resistance: ≤ 100 mΩ/Contact

Operating temperature: -30°C ~ +85°C


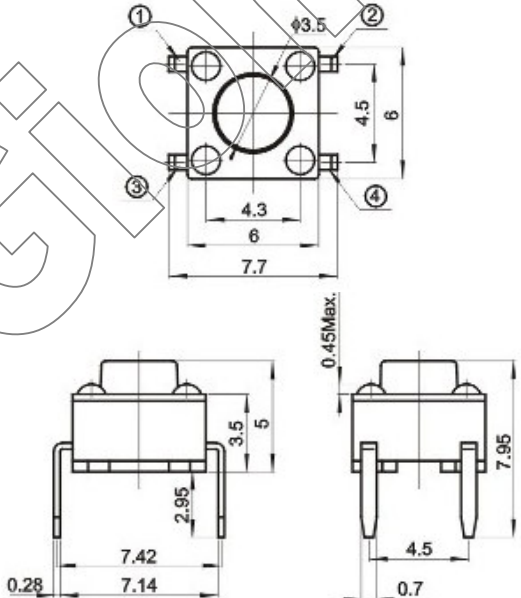
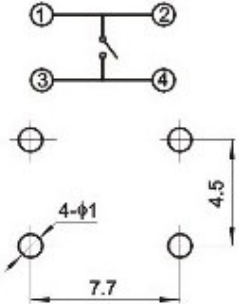
Storage temperature: -40°C ~ +85°C


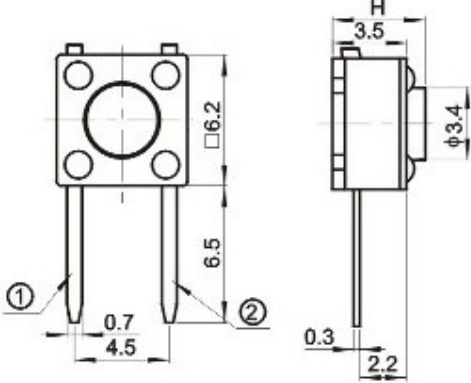
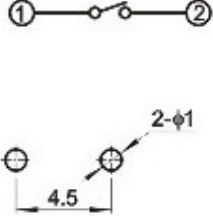

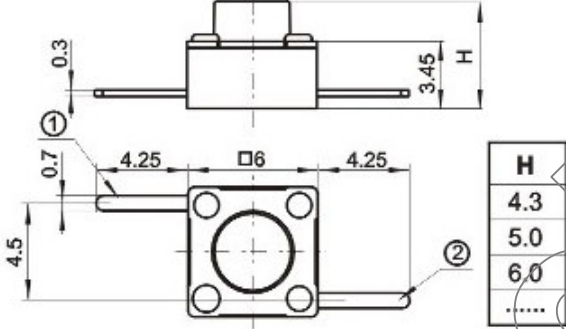
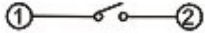

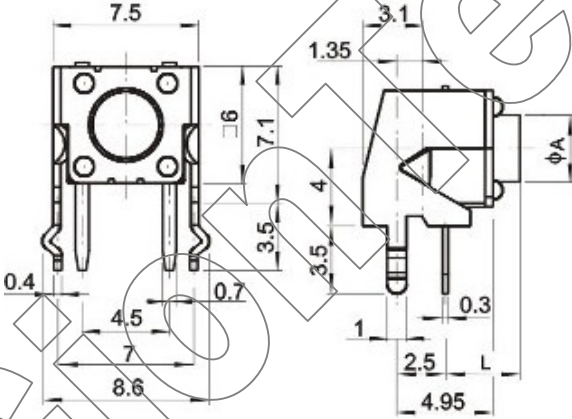
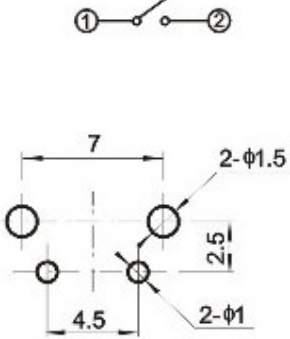
Material


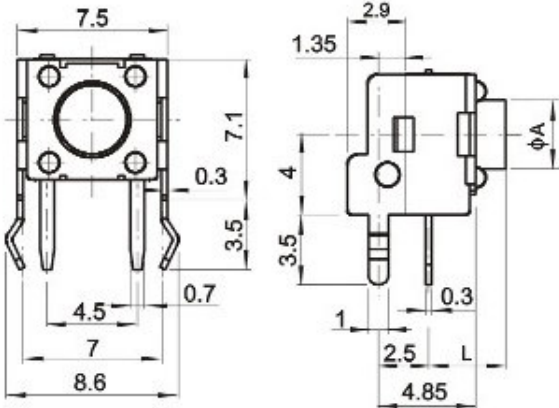
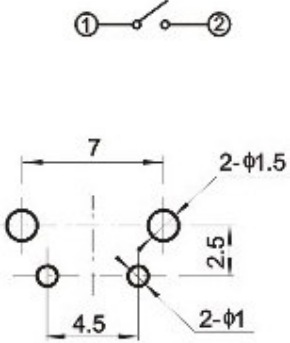

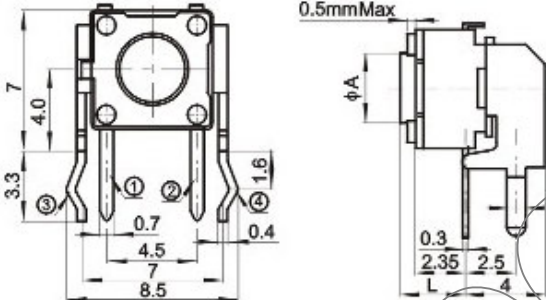
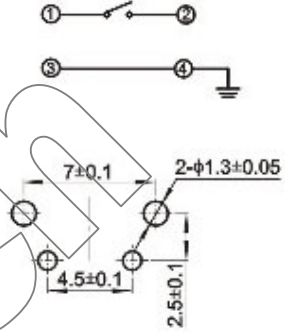

Base: PA66/PA6T/LCP, UL94V-0

Contact material: Phosphor Bronze

Contact Spring Plating: Stainless Steel/Silver Plating

Physical Picture	Outline Drawing	Circuit
 <p>TSG-44T-XXX</p>	 <p>Top view dimensions: 7.7 (width), 6 (height), 4.5 (height to center), 4.3 (width to center), 6 (width to center), 7.7 (width to center), 3.5 (width to center), 5 (width to center), 0.45Max. (height to center), 7.95 (height to center), 4.5 (width to center), 0.7 (width to center).</p>	 <p>Terminal layout: 4-φ1 (hole diameter), 7.7 (width), 4.5 (height).</p>

 <p>TSG-47T-XXX</p>							
 <p>TSG-48S-XXX (H = X.X)</p>	 <table border="1" data-bbox="1008 852 1089 1035"> <thead> <tr> <th>H</th> </tr> </thead> <tbody> <tr> <td>4.3</td> </tr> <tr> <td>5.0</td> </tr> <tr> <td>6.0</td> </tr> <tr> <td>.....</td> </tr> </tbody> </table>	H	4.3	5.0	6.0	
H							
4.3							
5.0							
6.0							
.....							
 <p>TSG-49T-XXXH</p>							

 <p>TSG-4AT-XXXH</p>		
 <p>TSG-4BT-XXXH</p>		
 <p>TSG-4CT-XXXH</p>	